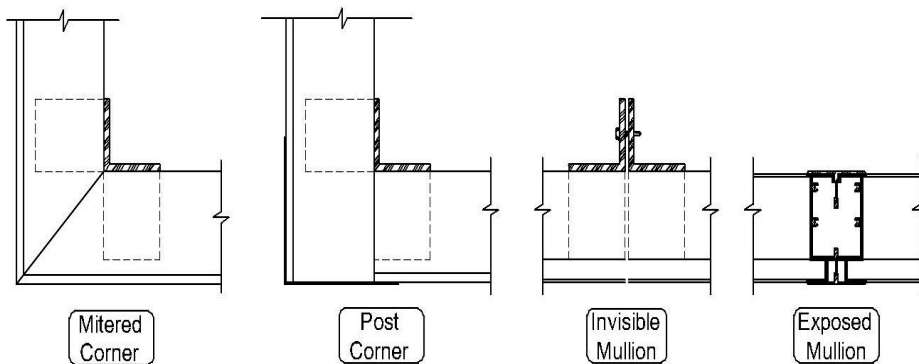
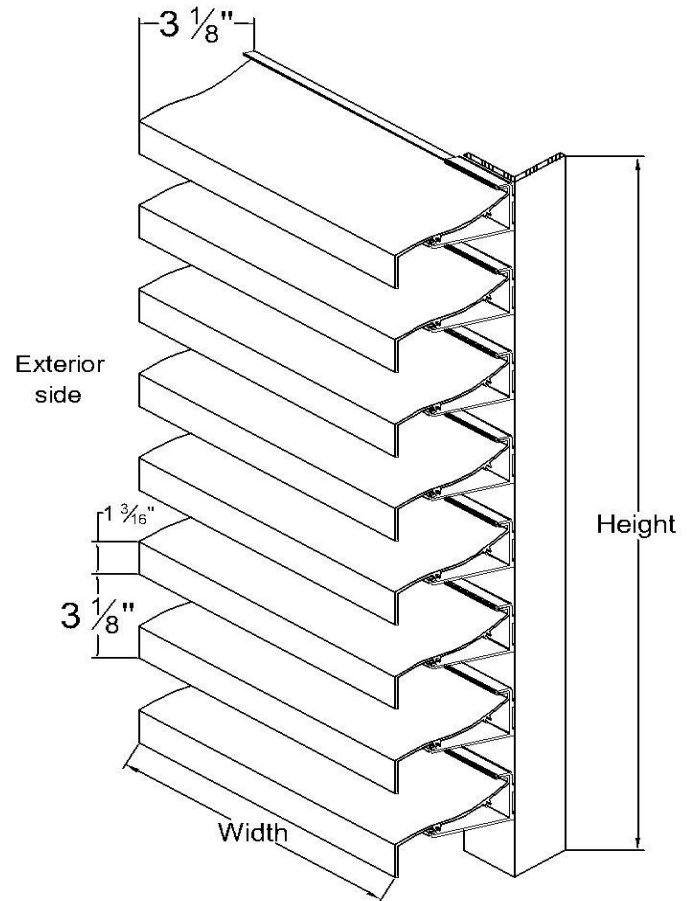


Standard Louver Construction

✓ Frame	Frameless
✓ Blades Thickness	.081" extruded aluminum 6063-T5
✓ Blade Positioning	35° angle with 3- 1/8" spacing center to center
✓ Fasteners	3/16" plated steel screw
✓ Support	2 x 2 x 3/16" aluminum angle
✓ Finish	Mill
✓ Undersized	1/4" under opening sizes
✓ Mullions	Invisible
✓ Minimum Size	12" x 12"
✓ Maximum Single Section	120" x 84" or 84" x 120

Optional Construction

Frame	Channel .081" extruded aluminum 6063-T5		
Fasteners	Welded Construction Stainless Steel Fasteners		
Screen	.050" x 3/4" expanded Frameless .063" x 1/2" wire mesh Bird Screen 18 x 16 Insect screen		
Finish	Prime coat Baked enamel Powder coat Kynar 500 2 Coat 3 Coat Anodized Clear Color		
Mullions	Visible Flange		
Frame Accessories	Pan Extended sill		



Louver Schedule

Item	Qty	Opening Size (W x H)	Notes	Project:	
				Location:	
				Arch/Eng:	
				Customer:	